

## Talis Select E

### Basin mixer 110 without waste set

Surfaces: **Chrome** Article Number: **71751000**



#### Description

##### product features

- ComfortZone 110
- projection 112 mm
- spray type: normal spray
- maximum flow rate at 3 bar: 5 l/min
- Select cartridge with temperature control
- temperature limitation adjustable
- suitable for continuous flow water heaters
- connection type: G 3/8 connections
- connection dimension: DN15

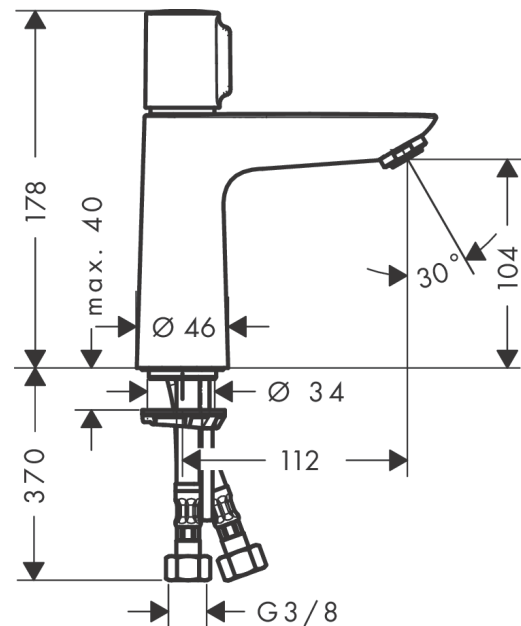
#### Technology



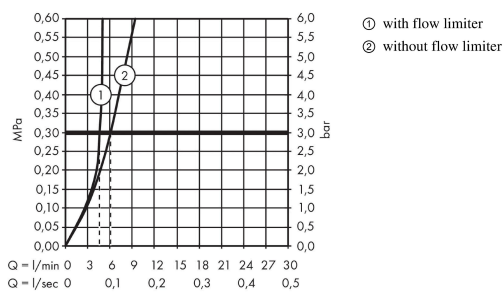
#### Product image



#### Scale drawing



#### Flowchart

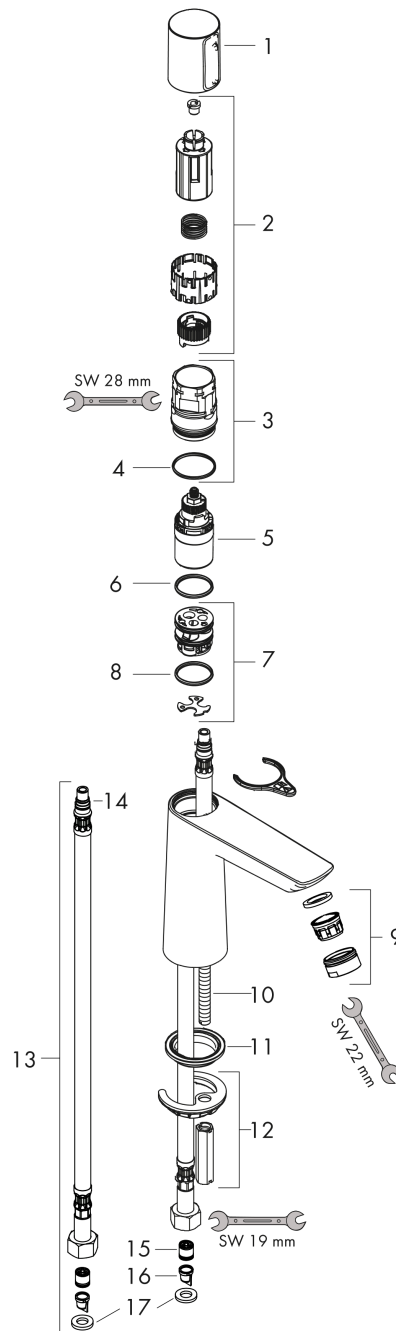


**Talis Select E**  
**Basin mixer 110 without waste set**  
 Surfaces: **Chrome** Article Number: **71751000**



**Exploded Drawing**

Year of production: >05/18



**Talis Select E****Basin mixer 110 without waste set**Surfaces: **Chrome** Article Number: **71751000****Spare part list**

Year of production: &gt;05/18

Pos.	Description	Article Number	Price	PU
1	handle	92525000	-	1
2	adapter for handle	92526000	-	1
3	nut	92528000	-	1
4	O-ring 27x1,5	92527000	-	1
5	cartridge, assy	92529000	-	1
6	O-Ring 28x2	98194000	-	1
7	adapter for cartridge	98866000	-	1
8	O-ring 23x2	98398000	-	1
9	aerator M24x1 (5 l/min)	13185000	-	1
10	screw M8 x 68	97736000	-	1
11	seal Ø 42	98722000	-	1
12	fixing set	96016000	-	1
13	connection hose 450 mm M8x0,75 G3/8	93405000	-	1
14	O-ring 7x1,5	98422000	-	1
15	non return valve DW 10	96456000	-	1
16	filter	92532000	-	1
17	sealing set	92533000	-	1